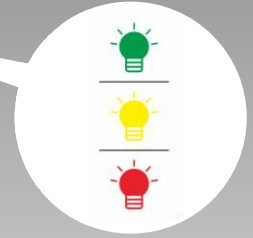
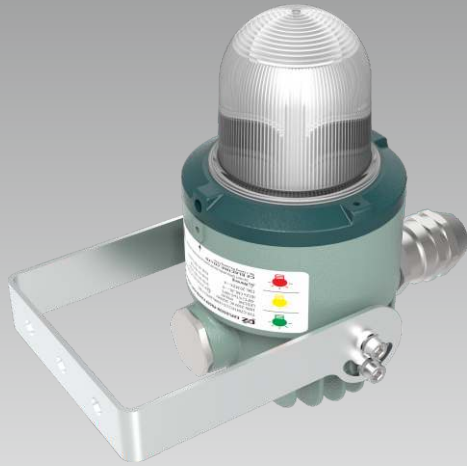


CZ6474/111S

CZ6474/121B


B

描述 Descriptions

防爆灯外壳由铝合金压铸成型，表面喷涂纯环氧树脂粉末，抗腐蚀性能好。透明罩为钢化玻璃，外加发光灯罩，外露紧固件采用不锈钢材料。防爆灯配隔爆型电缆密封套直接引入，防爆灯具内部独特的隔热设计与外部高密度的散热片相结合散热效果更佳。

防爆灯为IIC级 LED防爆警示灯，既适用于爆炸性环境，也适用于具有强腐蚀性的石化、化学场所和海洋环境等。

防爆灯灯设有常亮和闪亮两种发光类型，内置红色、绿色和黄色三种颜色 LED光源，也可根据用户需求定制其它颜色，作为设备信号指示用，且能通过选装 1个或 2个防爆蜂鸣器，实现声光一体信号指示。

防爆灯可分为平面灯和支架灯。

- 长寿命免维护，使用寿命长达50000小时，可实现长期免维护
- 具有良好的电磁兼容性，不会对系统电网造成干扰
- LED属于固态光源，抗震性能佳
- 隔爆最高等级IIC级
- 安装维护方便
- 防护等级高达IP66
- IECEx、ATEX认证

The explosion-proof light fittings shell is made of aluminum alloy die-casting, and the surface is sprayed with pure epoxy resin powder, with good corrosion resistance. The transparent cover is made of tempered glass, plus a luminous cover, and the exposed fasteners are made of stainless steel. The explosion-proof lamp is equipped with flame-proof cable gland for direct entry. The unique heat insulation design inside is combined with the external high-density heat sink, heat dissipation effect for better. The explosion-proof light fittings is IIC LED explosion-proof warning lamp, which is not only suitable for explosive environment, but also suitable for petrochemical, chemical places and marine environment with strong corrosivity. The explosion-proof light fittings is equipped with two light-emitting types: constant on and flashing. There are built-in LED light sources of red, green and yellow colors. Other colors can also be customized according to user needs for equipment signal indication. In addition, it can realize the integrated signal indication of sound and visual by optional one or two explosion-proof buzzers.

Explosion proof light fittings can be divided into flat type and bracket type.

- It is long life and maintenance-free which the service life is up to 50000 hours and the maintenance-free of long term.
- There is a feature of good electromagnetic compatibility and it does not cause interference to the system power grid.
- There is a good performance of vibration due to the LED is the solid-state light source.
- The highest flameproof level is IIC.
- It is convenient to be mounted and maintained.
- The degree of protection is up to IP66.
- International IECEx Approval, Europe union ATEX Approval.

1 区和 2 区

21 区和 22 区

Zone 1 and zone 2

Zone 21 and zone 22

主要数据 Main technical data

认证 Certification	防爆标志 Ex mark	符合标准 Meet the standard
China	Ex db IIC T6/T5 Gb 不带蜂鸣器 Without buzzer Ex db ib IIC T6/T5 Gb 带蜂鸣器 With buzzer Ex tb IIIC T80°C/T95°C Db	GB/T3836
IECEX	Ex db IIC T6/T5 Gb 不带蜂鸣器 Without buzzer Ex db ib IIC T6/T5 Gb 带蜂鸣器 With buzzer Ex tb IIIC T80°C/T95°C Db	IEC60079
ATEX	⊕ II 2G Ex db IIC T6/T5 Gb 不带蜂鸣器 Without buzzer Ex db ib IIC T6/T5 Gb 带蜂鸣器 With buzzer ⊕ II 2D Ex tb IIIC T80°C/T95°C Db	EN60079

 适用范围: 用于 1 区和 2 区
 用于 21 区和 22 区

防护等级: IP66

 额定电压: 20 ~ 40V DC/14~28V AC 50/60Hz
 127~ 250V DC/100 ~ 250V AC 50/60Hz

光源: LED

功率/光通量: 5W/50lm

功率因素: >0.98

 使用环境温度: -60°C/-40°C≤Ta≤+40°C/55°C
 (-60°C灯具电气设备需要定制)

发光颜色: 红、绿、黄(标配),其它颜色可选

额定声压: 1只蜂鸣器 > 95dB (在1m处)

2只蜂鸣器 > 125dB (在1m处)

闪亮频率: 60次/min

 接线端子: 端子 2.5mm², PE 端子 2×10mm²

电缆入口: CZ6474/111S: 4-M25×1.5

CZ6474/121B: 2-M25×1.5

Intended use: Can be used in zone 1 and zone 2

Can be used in zone 21 and zone 22

Degree of protection: IP66

Rated voltage: 20 ~ 40V DC/14~28V AC 50/60Hz

127~ 250V DC/100 ~ 250V AC 50/60Hz

Light source: LED

Power/Luminous flux: 5W/50lm

Power factor: >0.98

Ambient temperature: -60°C/-40°C≤Ta≤+40°C/55°C

(-60°C lamp electrical equipment need to be customized)

Emitting light color: red, green, yellow (Standard), other color optional

Rated sound pressure: With one buzzer > 95dB (at 1m)

With two buzzer > 125dB (at 1m)




Stroboscopic frequency: 60 times /min

 Terminal: Terminal 2.5mm², PE terminal: 2×10mm²

Cable entry: CZ6474/111S: 4-M25×1.5

CZ6474/121B: 2-M25×1.5

订购规格 Order specifications

图样 Illustration	蜂鸣器 Buzzer	温度组别T* Temperature class*		重量(kg) Weight	订购号 Order No.
		Ta≤40°C	Ta≤55°C		
	不带蜂鸣器 Without buzzer	T6	T5	1.63	CZ6474/111S-LEDRGY05W-□□-□-□-DA5
		T6	T5	1.73	CZ6474/121B-LEDRGY05W-□□-□-□-DA1
	带1个蜂鸣器 With one buzzer	T6	T5	1.73	CZ6474/111S-LEDRGY05W-□□-□-□-1B-DA3
		T6	T5	1.83	CZ6474/121B-LEDRGY05W-□□-□-□-1B-DA0
	带2个蜂鸣器 With two buzzers	T6	T5	1.83	CZ6474/111S-LEDRGY05W-□□-□-□-2B-DA1

 CZ6474/111S
 平面灯 Flat light

 CZ6474/121B
 支架灯 Bracket light

R,G,Y-红色,绿色,黄色
 Red,Green,Yellow

 ← 发光颜色
 ← Emitting light color

07-20 ~ 40V DC/14 ~ 28V AC 50/60Hz

17-127~ 250V DC/100 ~ 250V AC 50/60Hz

 ← 额定电压/频率
 ← Rated voltage/frequency

4 - -40°C≤Ta≤+40°C/+55°C

6 - -60°C≤Ta≤+40°C/+55°C

 ← 使用环境温度
 ← Ambient temperature

L-常亮 Constant ON

F-闪亮 Flashing

 ← 发光形式
 ← The lighting form

1B-1只蜂鸣器 One buzzer

2B-2只蜂鸣器 Two buzzers

 ← 蜂鸣器 (不配不注)
 ← Buzzer (Optional)

电缆引入装置编码详见第 B/17 页

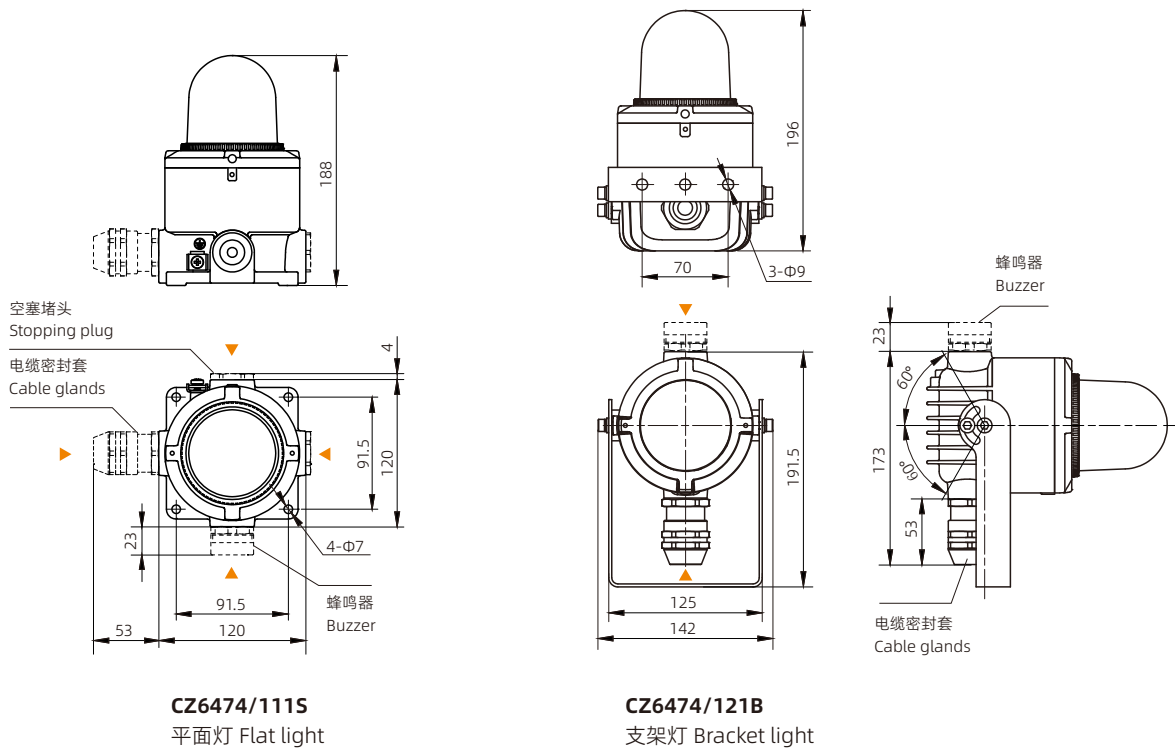
Code of cable gland see page B/17

电缆引入装置编码 Code of cable gland

CZ6474/111S 不带蜂鸣器 Without buzzer		
编码 Code	规格 Specification	电缆直径 Cable diameter
DA5	铜制 1 个 CZ1725/1A M25×1.5 电缆密封套, 3 个 CZ1725/3A M25×1.5 空塞堵头 One brass CZ1725/1A M25×1.5 cable gland, three CZ1725/3A M25×1.5 stopping plugs	Φ12-19mm
DA6	铜制 2 个 CZ1725/1A M25×1.5 电缆密封套, 2 个 CZ1725/3A M25×1.5 空塞堵头 Two brass CZ1725/1A M25×1.5 cable glands, two CZ1725/3A M25×1.5 stopping plugs	Φ12-19mm
CZ6474/111S 带1只蜂鸣器 With one buzzer		
DA3	铜制 1 个 CZ1725/1A M25×1.5 电缆密封套, 2 个 CZ1725/3A M25×1.5 空塞堵头 One brass CZ1725/1A M25×1.5 cable gland, two CZ1725/3A M25×1.5 stopping plugs	Φ12-19mm
DA4	铜制 2 个 CZ1725/1A M25×1.5 电缆密封套, 1 个 CZ1725/3A M25×1.5 空塞堵头 Two brass CZ1725/1A M25×1.5 cable glands, one CZ1725/3A M25×1.5 stopping plug	Φ12-19mm
CZ6474/111S 带2只蜂鸣器 With two buzzer, CZ6474/121B 不带蜂鸣器 Without buzzer		
DA1	铜制 1 个 CZ1725/1A M25×1.5 电缆密封套, 1 个 CZ1725/3A M25×1.5 空塞堵头 One brass CZ1725/1A M25×1.5 cable gland, one CZ1725/3A M25×1.5 stopping plug	Φ12-19mm
DA2	铜制 2 个 CZ1725/1A M25×1.5 电缆密封套 Two brass CZ1725/1A M25×1.5 cable glands	Φ12-19mm
CZ6474/121B 带1只蜂鸣器 With one buzzer		
DA0	铜制 1 个 CZ1725/1A M25×1.5 电缆密封套 One brass CZ1725/1A M25×1.5 cable gland	Φ12-19mm

外形尺寸 Outline dimensions

单位 Unit: mm



► 电缆密封套 / 蜂鸣器入口 Cable entry